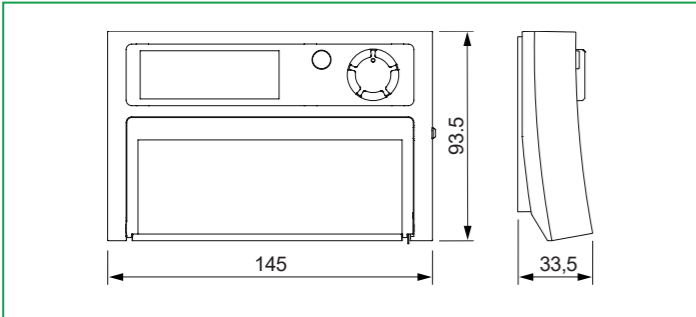
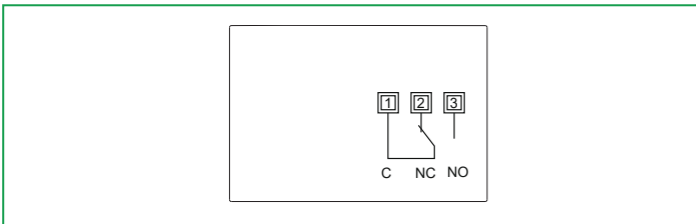




Device dimensions



Connection diagrams



Device description

① LCD display
② Reset key
③ Increase (or forward), Confirm, and Decrease (or back) keys
④ Daily programming sliders
⑤ Slider door opening key
⑥ Clock/timing, summer/winter, on/off keys
⑦ Manual setpoint knob
⑧ Manual/Automatic key

Information to users pursuant to art. 14 of the directive 2012/19 / EU of the European Parliament and of the Council of 4 July 2012 on waste electrical and electronic equipment (WEEE)

If the crossed-out bin symbol appears on the equipment or packaging, this means the product must not be included with other general waste at the end of its working life.

The user must take the worn product to a sorted waste center, or return it to the retailer when purchasing a new one.

Products for disposal can be consigned free of charge (without any new purchase obligation) to retailers with a sales area of at least 400 m², if they measure less than 25 cm.

An efficient sorted waste collection for the environmentally friendly disposal of the used device or its subsequent recycling, helps avoid the potential negative effects on the environment

and people's health, and encourages the re-use and/or recycling of the construction materials.

User Manual

Read all the instructions carefully

DAILY SMART THERMOSTAT WITH CURSORS

Battery-powered wall-mounted smart thermostat, suitable for controlling heating and air conditioning systems. It performs type 1B actions and is designed to operate in environments with pollution level 2 and overvoltage category III (EN 60730-1).

Code	Model	Description
4G001100	CC 11B	Daily smart thermostat with cursors

SAFETY WARNINGS

During product installation and operation it is necessary to observe the following instructions:

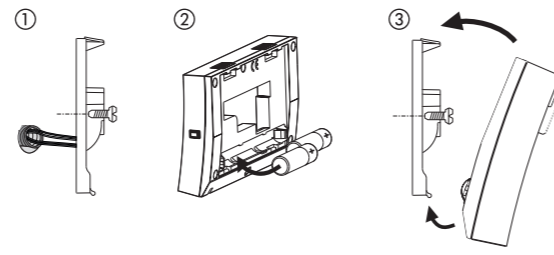
- 1) The device must be installed by a qualified person, in strict compliance with the connection diagrams.
- 2) Do not power or connect the device if any part of it is damaged.
- 3) After installation, inaccessibility to the connection terminals without appropriate tools must be guaranteed.
- 4) The device must be installed and activated in compliance with current electric systems standards.
- 5) Before accessing the connection terminals, verify that the leads are not live.

TECHNICAL SPECIFICATIONS

- Power supply: - 2 alkaline batteries 1.5 V (AA type)
- battery life: 2 years
- depleted batteries indication
- Bistable relay rating: 5 A / 230 Vac
- Wall installation (or covering the 503 box)
- Operating modes: heating, air conditioning or off
- ON/OFF temperature control with adjustable differential from 0.1 to 1°C
- Proportional temperature control with adjustable band and period
- Temperature measurement resolution: 0,1°C
- Temperature measurement accuracy: ±0,5°C
- Temperature measurement range: 0°C ÷ 50°C
- Temperature control range: 2°C ÷ 36°C
- Readings on LCD display
- °C/°F display selection
- Timing range: 0 ÷ 99 ore / 0 ÷ 99 giorni
- Operating temperature: 0°C ÷ 50°C
- Storage temperature: -10°C ÷ 65°C
- Protection degree: IPXXD

Installation

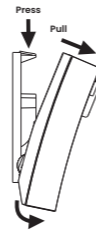
- The device can be installed on the wall or to cover the 3-module flush-mounting box (type 503).
- We recommend positioning at a height of 1.5 meters from the floor, in an area that respects as much as possible the average temperature conditions of the entire environment.
- Avoid installation near doors or windows, in niches, behind doors and curtains or in positions with excess or total lack of ventilation, to avoid that the reading of the temperature measured by the probe is in some way offset.



- 1) Connect the load (see connection diagram) and secure the device to the wall.
- 2) Insert the batteries into the designated compartment, observing the correct polarity.
- 3) Place the front panel on the lower part of the one fixed to the wall, paying particular attention to the correct coupling of the two parts, and close the device by rotating the front panel upwards

Battery replacement

- If the icon appears on the display, indicating low battery voltage, the batteries must be replaced because actuation is not guaranteed.
- Remove the used batteries and replace them with new ones within a maximum of one minute (power reserve) to avoid losing the date and time settings (the settings made are retained in memory even after this time limit).
- If replacing the batteries takes too long, press the reset button [R] and set the time again.



Use only alkaline batteries

- It is necessary to remove the batteries before the instrument is scrapped.
- In case of replacement, dispose of the batteries in the special containers of separate waste collection.

Operation

HOW TO SET THE TIME

- To access the clock setup page push the key: the field to be modified will flash.
- Use keys and/or to modify the field, push the key to confirm and move on to the next field. To exit clock setup push the key again.

OPERATION

- When in normal operation mode, the device periodically measures the temperature in the room in which it is installed and controls temperature based on the previously set parameters. Default temperature control is ON/OFF type, with a selectable differential.
- When in winter (heating) operation it is possible to select the PROPORTIONAL control mode, which follows the control band value as configured (the temperature range in which climate control is performed) and the value set for the control period (duration of the control cycle).
- Automatic/Manual**
There are two operation options: automatic (different temperatures according to the time of the day) and manual (one temperature all through the day): when in manual operation mode the symbol is lit. To switch from automatic to manual, push the key. To view the temperature control setting, press the key when in manual mode. To switch back to automatic, hold the key down for at least 3 seconds.
- Summer (conditioning)/Winter (heating)**
It is possible to configure relay operation to command a heating or cooling unit. To select this function, push the key; to select operation, push the and/or key; to confirm and return to normal operation press .
- Setpoint programming**
When in automatic operation, climate control uses 15 temperature levels, depending on the position of the cursors. Temperature selection during the day uses 24 cursors; the temperature value is selected by moving the cursors along the appropriate rails until they are in the desired position.
To view the temperature associated to the cursor corresponding to the current time, press ; at this stage it is possible to schedule an actuation delay - with 15' steps - using the keys and/or . To view the temperature associated to the next cursors or change actuation delays press . To switch back to normal operation, press confirmation key .
- When in manual operation mode, climate control uses one temperature level only (different for winter/heating and summer/air conditioning), depending on the position of the manual setpoint knob. To view the temperature setpoint press key .
- To exit the reading or change, press again. When in the setpoint view or change page the symbol is lit.

Note: while changing setpoint, temperature control and relay actuation are discontinued.

MINIMUM AND MAXIMUM VALUES

- To view the maximum daily temperature press to set the value to zero, hold the same key down for at least 3 seconds until three dashes appear.
- To view the minimum daily temperature press to set the value to zero hold the same key down for at least 3 seconds until three dashes appear.

ADVANCED PROGRAMMING

- To access the advanced programming menu, view and configure some parameters, hold down the key for at least 3 seconds. The display will show the first page, i.e. the temperature control type. Use the and/or key to change the value assigned to the selected parameter. Press to confirm the change and move on to the next parameter.
- ON-OFF/PROPORTIONAL selection**
This selection is only enabled when in winter mode:
- : ON-OFF temperature control (default)
- : PROPORTIONAL temperature control
- Control band and period selection**
This selection is only enabled when in PROPORTIONAL temperature control type:
- : i.e. control band, varying from 0,5 to 5,0°C (default value 0,5°C)
- : i.e. control period, varying from 10' - 20' - 30' (default value 10')
- Setting up the control differential**
This selection is only enabled when in ON-OFF temperature control type:
- : i.e. control differential, varying from 0,1 to 1°C (default value 0,3°C)
- Antifreeze temperature selection**
This selection is only enabled when in winter mode:
- : Antifreeze temperature, varying from 1 to 10°C (default value 6°C)
- °C/°F selection**
To select the unit of measurement for the displayed temperature:
- : degrees Celsius (default)
- : degrees Fahrenheit
- Operation hour count**
To display the system operation hours - a 6 digit reading - (when the relay is in ON status). To reset the hour count press for 3 seconds
- Battery level reading:**
To display the battery charge percentage (3-digit reading).

TIMED OPERATION

- Timed automatic**
When in automatic operation it is possible to schedule manual operation mode for a certain time range, after which the device will go off.
To enable timed automatic operation, hold down the key for at least 3 seconds, until the delay setup page appears; adjust the delay as explained below (see "Timing programming").
- When in timed automatic operation mode the symbol is lit.
To terminate timed operation quickly, enable the manual mode or off mode.
- Timed manual operation**
It is possible to schedule manual operation mode for a certain time range, after which the device will resume automatic operation. To enable timed manual operation, switch to manual operation (press the key), hold down the key for at least 3 seconds, until the delay setup page appears; adjust the delay as explained below (see "Timing programming"). When in timed manual operation, the symbols and are lit.
- To quickly terminate timed operation and return to automatic, hold down the key for at least 3 seconds.
- Timed switch-off**
When in automatic operation it is possible to put climate control off for a certain programmed time range, after which the device will resume the previous operation mode.
- To enable timed switch off, switch to off mode (press) and hold down the key for at least 3 seconds, until the delay setting page appears; then set up the delay as explained below (see "Timing programming").
- When in timed switch-off mode the symbols and are lit.
To quickly terminate timed operation and return to the previous operation mode, press .
- Timing Programming**
To set a delay in hours (field marked "h"), use the and/or key when in the delay programming page and press to confirm. To set a delay in days, when the hour page appears move to the day page by pressing the key (the display will read "d" instead of "h") and proceed as explained for the hour delay.
- During timed operation it is possible to view and change the remaining delay: go to the relevant setup page (hold down the key for at least 3 seconds) and proceed as explained above.

Note: timings expressed in hours expire when the last hour ends; timings expressed in days run out at midnight.

SWITCH OFF

- To disable climate control totally press and ensure that the symbol lights up. If the device is in winter operation mode, the antifreeze function is however guaranteed according to the relevant temperature setting (see "Advanced programming").
- To switch the device back on, press again.

Reset

- Perform a reset to delete any settings you've made and restore the factory defaults.
- To perform a reset:
1. Press the reset button [R]
2. Press the within 3 seconds until appears on the display.

Factory values

Regulation type	ON/OFF
Manual conditioning setpoint	24 °C
Adjustment band	0.5 °C
Period	10'
Antifreeze temperature	6 °C
Heating differential	0.3 °C
Conditioning differential	0.3 °C
Operating mode	Heating
Unit of measurement	°C

Reference standards

- Compliance with Community Directives: 2014/35/UE (LVD) and 2014/30/UE (EMCD) is declared with reference to the following harmonized standards:
• EN 60730-2-7 • EN 60730-2-9